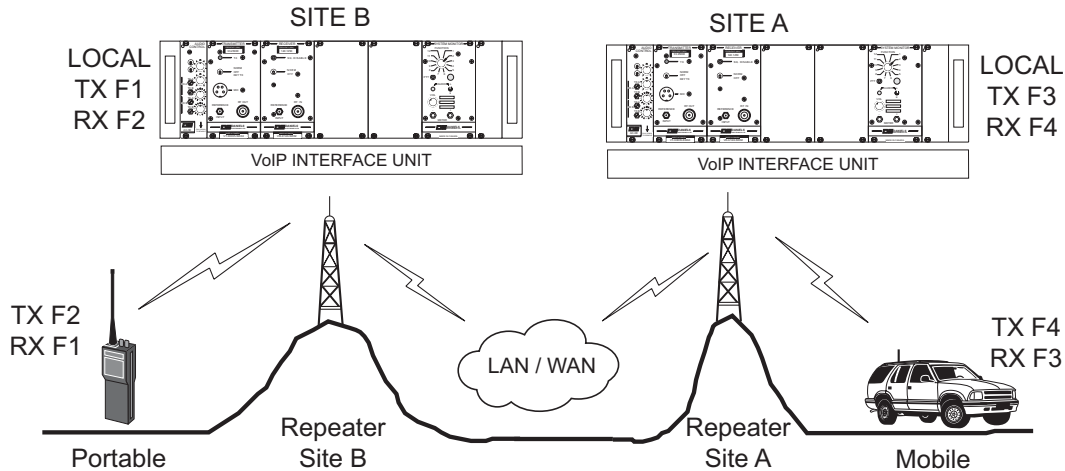


AN350 VoIP Linked Repeater System

FM Voice Radio Systems

“Extending Radio Coverage Through a Network”



Requirement

The distance has become too long or the coverage provided is too restricted for a single repeater. More repeaters are needed to enable radio users to communicate over the greater distances. A local or wide area network is available at the repeater sites.

Solution

Radio coverage over a large area can be provided by establishing a series of repeater sites linked together. The local or wide area network can be used to link the repeater sites together. Using existing network infrastructure eliminates the need for leased lines, microwave, or radio links and also allows for repeaters to be located in areas where line of sight paths between repeater sites may be restrictive. A network extension unit is connected at both repeater sites allowing PTT / COR and audio signals to be sent across the LAN / WAN to and from the remotely located repeaters.

Frequency Bands / RF Power Output

- 30 - 50 MHz / 3, 40, 100, 250 Watts
- 132 - 174 MHz / 8, 30, 100 Watts
- 406 - 470 MHz / 2, 8, 30, 100 Watts
- 806 - 869 MHz / 3 Watts
- 896 - 960 MHz / 3 Watts

Related Applications

- AN300 Multiple Linked Repeater System
- AN410 Crossband Link Repeater System

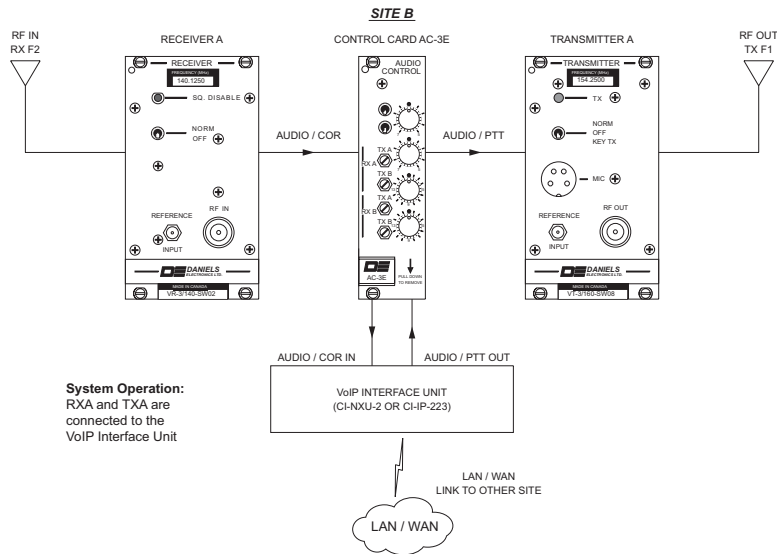
Available Options / Features

CTCSS, DTMF, DCS Control of Links

AN350 VoIP Linked Repeater System

“Extending Radio Coverage Through a Network”

System Block Diagram



Sample Block Diagram of a VoIP Linked Repeater System

Required Equipment

- xT-3/xxx-xxxxxx VHF / UHF Transmitter Module
- xR-3/xxx-xxxxxx VHF / UHF Receiver Module
- SR-39-1 Subrack
- SM-3-H0-014-00 System Monitor
- A-MIC-01 Microphone
- IMxx-xxxxxxx Instruction manuals
- AC-3E Audio Control Card
- A-PNL-AUX96-3 Auxiliary 96 pin Connector
- CI-NXU-2 JPS Network Extension Unit **OR**
- CI-IP-223 Vega VoIP Controller Interface

Optional Equipment

- AMP-2/xxx-30-00 30 Watt Power Amplifier
- SM-3-H0-MVx-00 System Monitor with analog meter
- SM-3-H0-R1N-00 System Monitor with Single Antenna Relay
- AC-CTCSS-DE1 CTCSS decoder / encoder modules
- PSA-12A09-P0-00 AC Power Supply
- PSD-15/08-P0-xx DC to DC Power Supply

43 Erie Street
Victoria, B.C.
Canada V8V 1P8

Toll Free **Canada & U.S.A.**
Phone: 1-800-664-4066
Fax: 1-877-750-0004

International
Phone: 250-382-8268
Fax: 250-382-6139

Internet
e-mail: sales@danelec.com
web: www.danelec.com